



## 1 YEAR LIMITED WARRANTY

### SPEAKERS

BARSKA® Audio, as manufacturer, warrants this new sound system to be free of original defects in materials and/or workmanship for the length of time specified by this warranty. This warranty does not include damage caused by abuse, improper handling, installation, maintenance, normal wear-and-tear, unauthorized repairs or modifications and tampering in anyway.

This warranty is limited to the original purchaser and is not transferable. This warranty applies only to products purchased in the United States of America and Canada.

In the event of a defect within 30 days, the consumer must return the defective unit to the BARSKA® Audio dealer (the place of purchase) at his/her own expense.

Beyond 30 days, BARSKA® Audio products should be sent to the following address for warranty repairs. Products must be packed carefully and sturdily to prevent damage in transit, and returned freight prepaid to:

BARSKA® Audio  
Repair Department  
855 Towne Center Drive  
Pomona, CA 91767

For additional and updated information  
please visit our website at [www.barskaAudio.com](http://www.barskaAudio.com)

Please email [info@barska.com](mailto:info@barska.com) or call 1-888-666-6769 for Return Merchandise Number (RMA#) before any returns.

NOTE: All merchandise received without a valid RMA # will be returned to shipper at his/her own expense.

Please include all of the following when returning BARSKA® Audio products for service and/or replacement:

1. Please write your complete details (Name, Address, Telephone #, E-mail address, RMA#, etc.)
2. Purchase receipt or Proof of Purchase. (Original/Copy)
3. A brief explanation of the defect.
4. A Check/Money Order of \$50.00 to cover inspection, shipping and handling.

\*Please allow 6-8 weeks for delivery.

This product will either be replaced or repaired at the discretion of the warrantor. If it's a discontinued item, we will replace the product with an equivalent product. Should the repair not be covered by this warranty, an estimate will be sent for your approval. Non-warranty repairs or refurbishing of your optical products are always provided at a reasonable cost. Repairs limit on BARSKA® Audio products only, excluding other parts. If serial number missing, the warranty is void.

BARSKA® Audio shall not be liable for any consequential, incidental and/or contingent damages whatsoever. We will not pay shipping, insurance or transportation charges from you to us, or any import fees, duties and or taxes. This warranty supersedes all previous BARSKA® Audio warranties.

# BARSKA®

## Audio User Manual

### Table Of Contents

Product Introduction	2
Accessories Included	2
Notes Before Installation	3
Edge Sound Deck Connection Methods	4
By Optical Cord	4
By 3.5mm to RCA Cord	4
By RCA Sound Cord	4
Connect Speaker to TV	5
Remote Control	5
Buttons	5
Light Signals	5
Stand By Mode	5
Edge Sound Deck Installation and TV Configuration	6
Bluetooth Setup	6
Ion Sound Bar Wall-Mount Installation	6
Troubleshooting	7
Specifications	7
Warranty	8

**FCC Statement**

This equipment has been tested and found to comply with the limits for a Class B digital device, pursuant to Part 15 of the FCC Rules. These limits are designed to provide reasonable protection against harmful interference in a residential installation. This equipment generates uses and can radiate radio frequency energy and, if not installed and used in accordance with the instructions, may cause harmful interference to radio communications. However, there is no guarantee that interference will not occur in a particular installation. If this equipment does cause harmful interference to radio or television reception, which can be determined by turning the equipment off and on, the user is encouraged to try to correct the interference by one or more of the following measures:

- Reorient or relocate the receiving antenna.
- Increase the separation between the equipment and receiver.
- Connect the equipment into an outlet on a circuit different from that to which the receiver is connected.
- Consult the dealer or an experienced radio/TV technician for help.

This device complies with part 15 of the FCC Rules. Operation is subject to the following two conditions:


- (1) This device may not cause harmful interference, and (2) this device must accept any interference received, including interference that may cause undesired operation.

Changes or modifications not expressly approved by the party responsible for compliance could void the user's authority to operate the equipment.

**Notes Before Installation**




Important: The speaker power supply on AC 100V-240V~50Hz/60Hz

Note: Any damage caused by improper power supply voids warranty

 Safety precaution:  
Warning: To avoid fire hazard or electric shock, do not expose the speaker to hot or humid areas



Note: To avoid danger of electric shock, do not disassemble the speaker. There are no spare parts inside for repair purposes. For repairs, please contact Barska Audio.

	Bolt Mark Icon The speaker shell is exposed to danger of non-insulated voltage
	Exclamation Mark Icon Important operation and maintenance procedures according to instruction
	This mark on speaker means double insulation

1. Read this manual carefully
2. Keep this manual in proper place
3. Beware of all warnings
4. Follow all instructions
5. Do not operate the speaker near water
6. Do not install the speaker close to or that can produce heat
7. If necessary, use a dry cloth to clean product
8. Do not block any vent outlets by following installation manual
9. Do not damage safety polarity plug or grounded plug. There are two ends on polarity plug. The third one is grounded end to ensure safety grounding. If the plug cannot plug into socket, please change the socket.
10. Do not step on product, especially the power cord plug, socket and voltage supply outlet
11. Use only parts from original manufacturer
12. Unplug the speaker when not in use for an extended period of time or in situation of lighting storm
13. If machine malfunctions such as power or socket damage, fluid or foreign body fallen inside machine, raindrop or humidity caused malfunctions be sure to contact Barska Audio
14. To ensure ventilation around machine, keep distance at least 1.20" all around machine. Do not block ventilation areas

Be careful when opening the box. If there is any sign of damage during transport, please contact Barska Audio immediately. Keep all packing material intact. Keep receipt as it is required for warranty.

**Product Introduction**

Barska Audio launch the simple and easy to install Edge Sound Deck and Ion Sound Bar series. To improve existing weak sound problem from the TV, just connect attached RCA red/white terminals or Optical and then enjoy the programs you like. The difference from Sound Bar series in market is Barska Audio speaker has built-in bass inside. So you do not have to worry about bass placement and setup. This speaker can provide your family choice for audio/video pleasure.

**Edge Sound Deck desktop speaker**

Edge Sound Deck has built-in bass and also independent mediate and treble horn, an all-function, multi-sound speaker. It matches 32"~50" panel TV. This thin design speaker can be placed on top of TV cabinet without occupying very much space. Features a black high gloss panel with stylish and sleek design. Up to total 300 watts output power makes listening to music and watching theater programs an enjoyable experience. Features a Bluetooth technology to listen to music wirelessly on mobile devices.

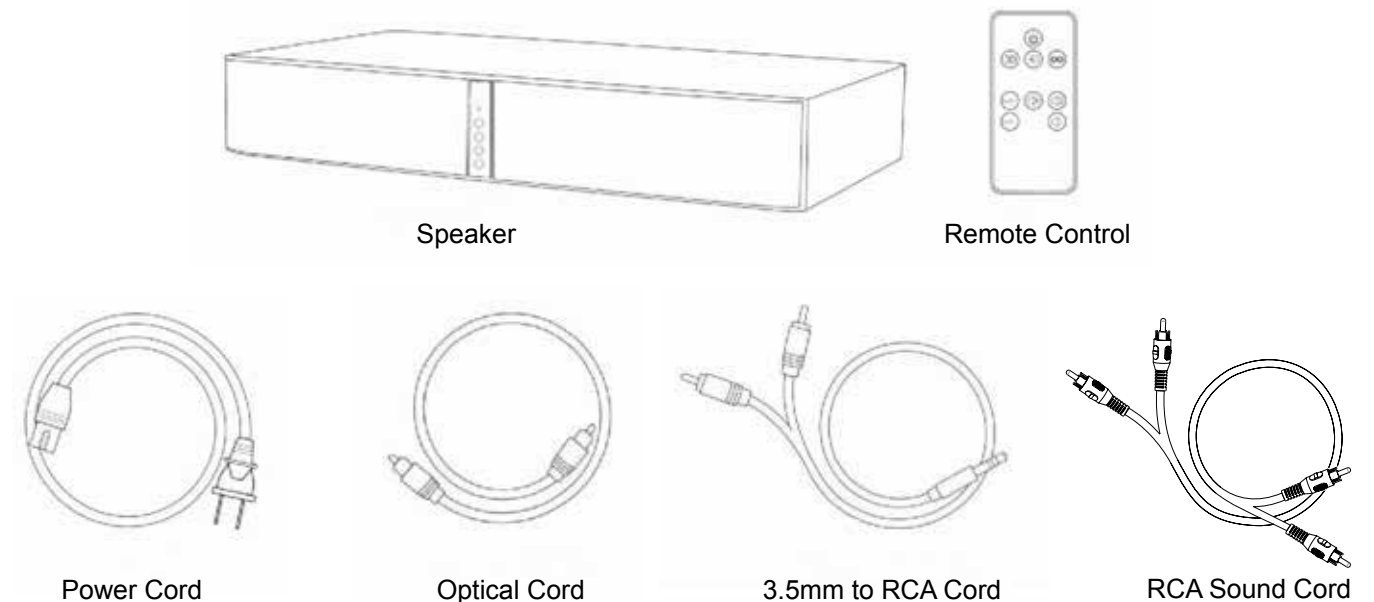
**Ion Sound Bar wall-mount (or desktop) speaker**

Built-in bass wall-mount speaker features a wooden box structure that enhances clear sound effects. 10 horns (in Ion Sound Bar XT-200) that makes it easy to generate great audio and video effects. Enjoying music is also an experience of great sound effects transmission. Features a very clear high pitch, solid alto and heavy bass sound. This speaker offers high quality music and a clear and natural sound effect in films. The speaker does not put emphasis on bass impact but carries very solid bass.

**Product features**

- Built-in bass inside main speaker. No need to set up additional bass
- Edge Sound Deck series 3.4" features an ultra-thin box and high gloss panel with stylish and sleek design
- 3D surround sound which create a stereo effect with height and depth
- Both music and voices are clear and natural, showing original sound vividly
- Multi-options of Optical, RCA or wireless Bluetooth to play music
- Edge Sound Deck TR-200/Ion Sound Bar XT-200: 10 horns in array arrangement with 300 watts total output
- User-friendly 4 buttons remote control and easy to operate

**Accessories Included**



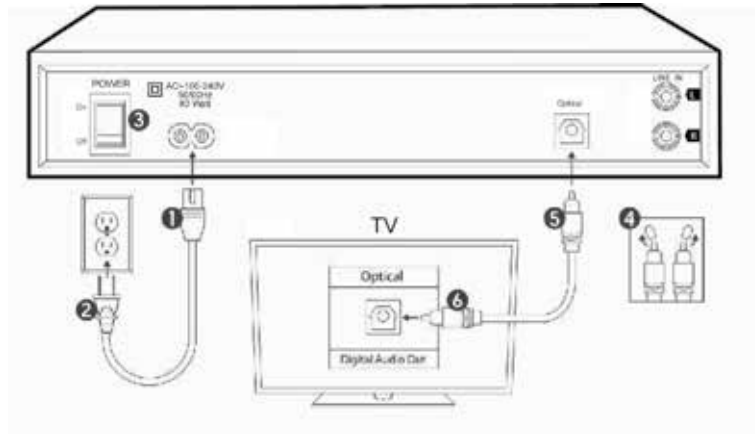
## Edge Sound Deck Connection Methods



To get best sound source, we suggest users follow below illustration connection.

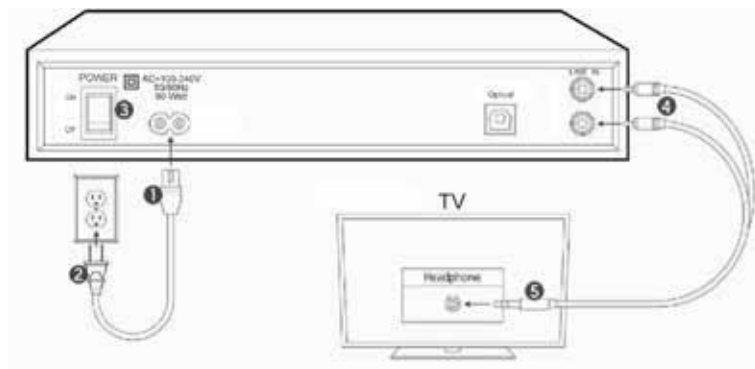
### By Optical Cord

Cord	Location(s)
1 and 2	Power cord connects to external power source
3	Power switch on speaker
4	RCA red/white connector which can connect between speaker and TV
5 and 6	Optical cord can connect speaker and TV



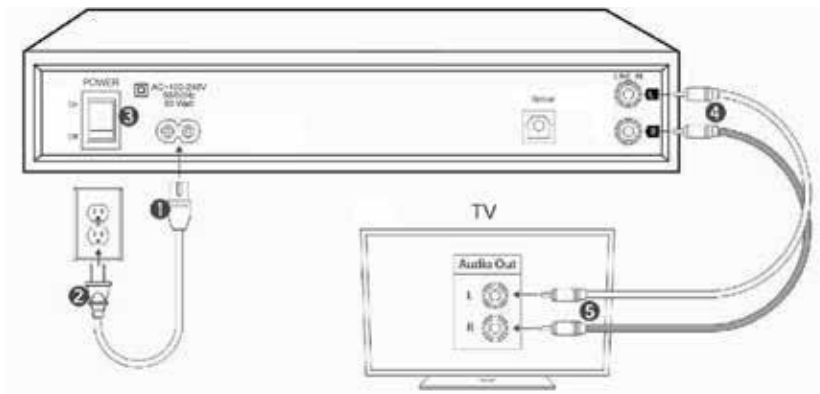
### By 3.5mm to RCA Cord

Cord	Location(s)
1 and 2	Power cord connects to external power source
3	Power switch on speaker
4 and 5	RCA red/white terminals 3.5mm cord connects to speaker and TV



### By RCA Sound Cord

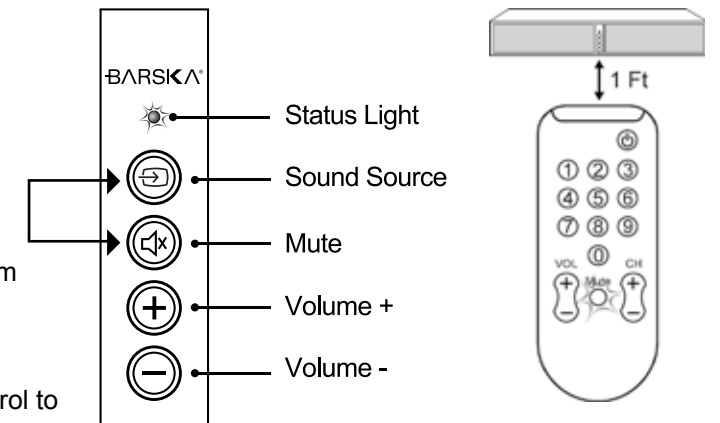
Cord	Location(s)
1 and 2	Power cord connects to external power source
3	Power switch on speaker
4 and 5	RCA red/white terminals connect to speaker and TV directly



## Connect Speaker to TV

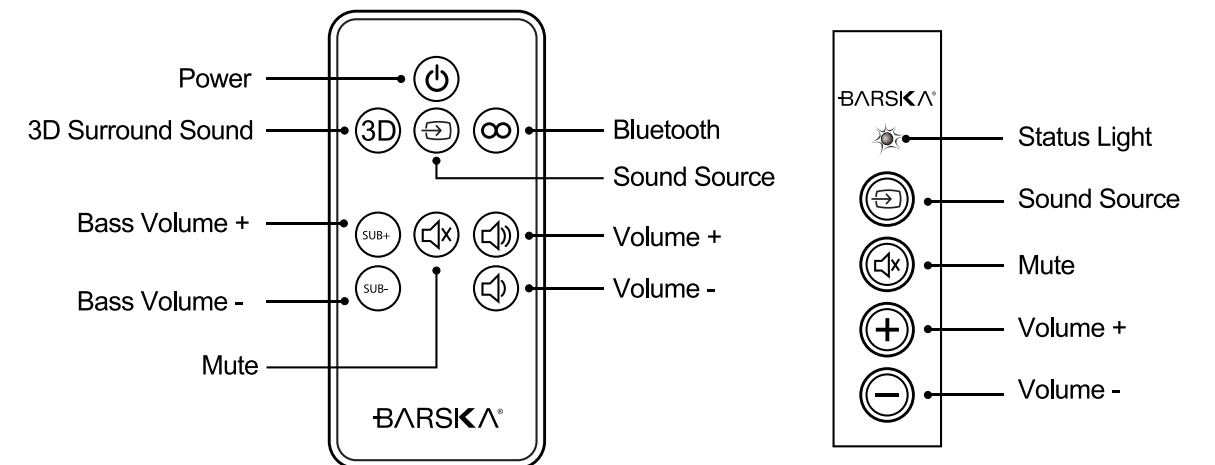
1. Speaker status light shows stable green light, press Sound Source and Mute buttons at the same time. Then, status light turns to "flashing" orange light
2. Press mute button on speaker once, status light becomes "stable" orange light
3. Press TV remote control mute button 4 times slowly (within 1 ft' distance from speaker), status light on speaker turns from flash green light to stable green light.

Follow above steps to setup speakers with home TV remote. If setup fails, try to use TV set directly or cable TV remote control to connect.



## Remote Control

### Buttons



### Light Signals

Color	On	Flash
Red	Power Off, Stand by mode	Flash once 3D surround sound is off
Green	Power On, by Optical power input	Flash once 3D surround sound is on
Orange	Power On, by Analog RCA power input	n/a
Blue	Power On, by Bluetooth power input	Flashes frequently waiting for Bluetooth connection

### Stand By Mode

When the TV power is off, after 10 minutes, Edge Sound Deck will be automatically on stand by mode. Light signal on speaker will turn red. When the TV or cable box power is on, Edge Sound Deck will turn on automatically.

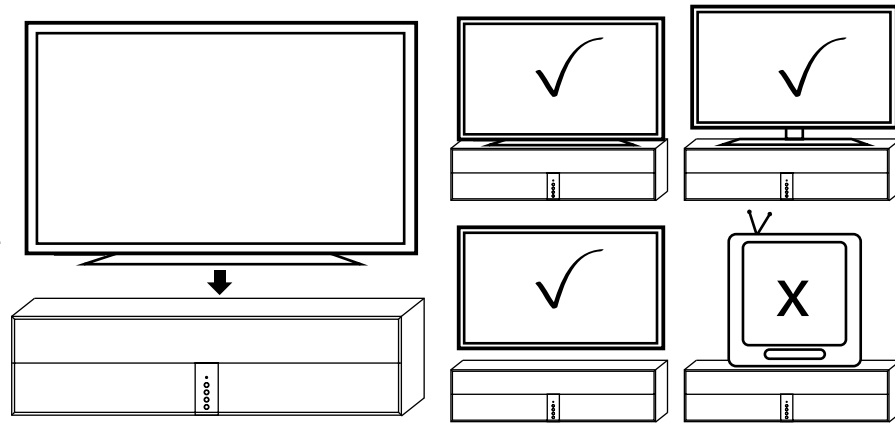
## Edge Sound Deck Installation and TV Configuration

- If TV set is placed on top of Edge Sound Deck
- TV set weight should be less than 39 lbs.
  - The area of TV set base should be smaller than Edge Sound Deck area, 30"x14"

Do not let Edge Sound Deck lean against wall.

Keep at least 1.2" distance from TV set for ventilation.

Keep at least 1.2" distance from wall. This can make bass operating normal too.



## Bluetooth Setup

Enjoy music wireless from devices with Bluetooth function, such as mobile phones, desktop computers, notebooks, etc.

If Bluetooth connects, light signal on speaker will always be "blue". Then, you can start playing your favorite music wirelessly. But note if another Bluetooth music signal gets in, you must turn off the 1st Bluetooth, then the 2nd Bluetooth will connect. Only one Bluetooth music signal will connect.

### Notes:

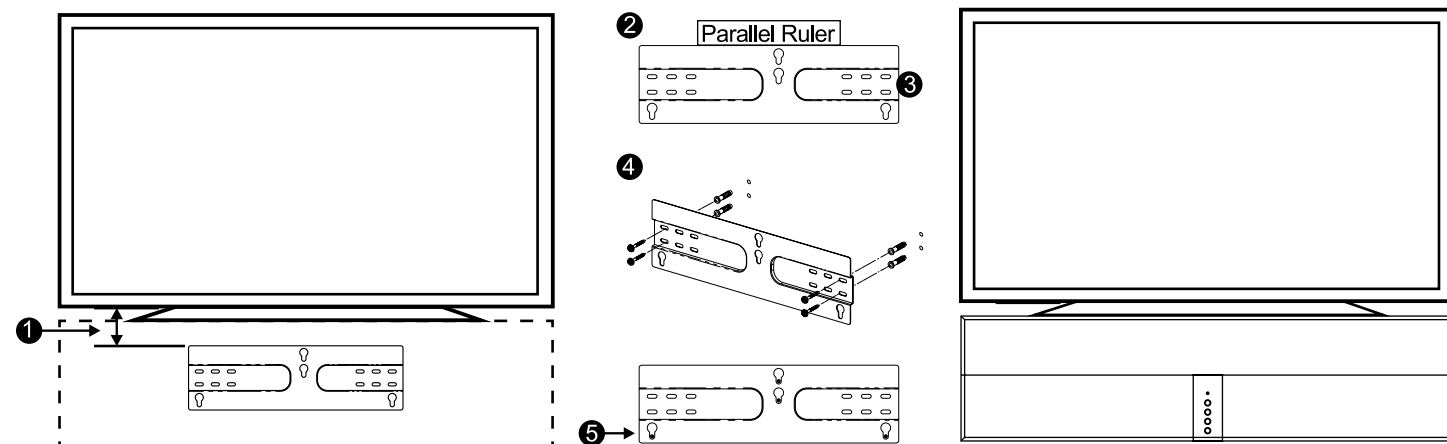
When you listen to Bluetooth music, the output power of Bluetooth is small. So keep mobile phone and speaker distance within 10ft. without any objects blocking the signal transmission. Place speaker properly without moving frequently.

1. Adjust TV speaker as outside amplifier of lowest volume to avoid damage or distortion of sound due to sudden loud sounds
2. Set Edge Sound Deck or Ion Sound Bar volume to loudest (while signal lights not flash).
3. Connect cord (either RCA or Optical) and choose sound input source
4. Adjust volume accordingly

## Ion Sound Bar Wall-Mount Installation

Illustration below is for Ion Sound Bar wall-mount method but the product can also be placed on a TV cabinet. The popular wall-mount position is under TV set. The proper height is parallel to the users ears.

The speaker is made of wood and carries weight. Evaluate if the wall can support the weight to avoid property damage during installation. The wall where Ion Sound Bar is going to be installed should be at least 1.2" thick so that screws can secure tightly.



1. To secure installation safely, make sure this distance should be between 4" - 6"
2. Drill holes on wall according to attached paper of wall-mount bracket holes position. Use parallel ruler while drilling and screwing to ensure speaker setup in parallel.
3. Choose proper drilling position depending on the wall space
4. Put sleeve first, then secure wall mount brackets onto wall by enclosed screws
5. Align the bolts of the back panel to corresponding position of wall-mount bracket. Pull speaker downward gently to ensure bolts hook unto base of wall mount brackets (Try to move speaker around gently to ensure bolts on base of wall mount brackets)

## Troubleshooting

If the machine can not operate normally, please refer below. If problem still exists, please contact Barska Audio.

Situation	Resolution
No Operation	Not connected to power source. Re-plug power socket to wall socket
	No power-on. Re-start the power switch on speaker
Unclear Sound	Check if volume is over suggested output of amplifier
No Sound	Check if power source is normal
	Check if input signal too small
	Check if sourcing signal is normal
	If all above are normal and problem still exists, contact Barska Audio
Remote Control Malfunction	No batteries inside remote control
	Battery run out of power. Replace new ones
	Remote control does not point to infrared ray receiver of machine
	The distance between remote control and machine is too far (beyond infrared ray receiver)

## Specifications

Barska Audio Edge Sound Deck TV mini desktop family stereo system (built-in bass)

Model	High Pitch	Alto	Bass	Input Source	Bluetooth	LxWxH (inch)	Suggested TV size
Edge Sound-Deck TR-100	0.75"x2	2.5"x2	4.5"x2	RCAx1/Opticalx1	Yes	29.5" x 14" x 3.4"	for 40~50" TV
Edge Sound-Deck TR-200	0.75"x2	2.5"x4	4.5"x4	RCAx1/Opticalx1	Yes	37.4" x 15" x 3.5"	> 50" TV

Barska Audio Ion Sound Bar mini desktop/wall mount family stereo system (built-in bass)

Model	High Pitch	Alto	Bass	Input Source	Bluetooth	LxWxH (inch)	Suggested TV size
Ion Sound Bar XT-100	0.75"x2	2.5"x2	4"x6"	RCAx1/Opticalx1	Yes	29.5" x 14" x 3.4"	for 40~50" TV
Ion Sound Bar XT-200	0.75"x2	2.5"x4	4"x6"	RCAx1/Opticalx1	Yes	37.4" x 15" x 3.5"	> 50" TV

### Note:

Barska Audio always keep improving and upgrading products so products specification may change in future without further notice.