

HOW TO USE THE RANGEFINDER RETICLE

A Rangefinder Reticle

contains either two or more horizontal lines placed at given distances away from each other or a horizontal line that is a certain thickness. The distance between the lines, or the line thickness, when placed against an object of known size, such as a game animal, will closely approximate the distance from the shooter to the target. The shooter then uses the lines to properly adjust the point of aim so as to align the point of aim with the intended point of impact.

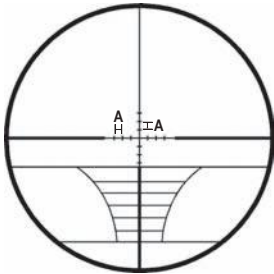
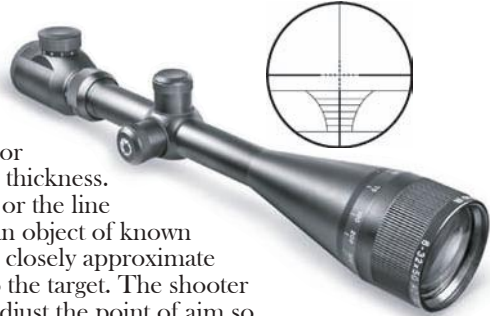


FIGURE 1.

DETERMINING RANGE USING RANGE FORMULA

1. First, it is necessary to know the magnification of your scope at the moment you look at the target. As an example, an 8-32x50 scope can have magnifications from 8x to 32x. At a setting of 8x, you have Power = 8.
2. In addition, you need to know the actual target size. For example, a deer that is 4 feet tall fits into 4 increments of "A" in the reticle (See Fig. 1). That means each increment of "A" is 1 foot long at the target. So, you have $A=12"$ (it must be in inches).
3. Here is the formula to use to calculate Range:
 $\text{Power} \times A \text{ (inches)} \times 2.5 = \text{Range (yards)}$
 So, in the example, $8 \times 12 \times 2.5 = 240$ yards.
 Therefore your target is 240 yards away.

DETERMINING RANGE USING MINUTE OF ANGLE (MOA)

1. The vertical line of the reticle is divided into 2 MOA increments (approx. $2" @ 100\text{yds}$). These vertical increments are used for range estimation, multiple zero points and accurate bullet drop compensation.
2. Any size target can be easily ranged using a simple formula:
 $\text{Target Size In Inches} + \text{MOA} \times 100 = \text{Range In Yards}$
3. For example, the target is 18" high and the target's height measures 6 MOA. The range to the target is 300 yards ($18" \div 6 \text{ MOA} \times 100 = 300$ yards).
4. Once the range is determined select an appropriate hold point based on the bullet drop of your cartridge. The vertical spacings can easily be split into 1 MOA increments further enhancing long range accuracy.

RANGE ESTIMATE TABLE

TARGET SIZE IN INCHES	TARGET SIZE IN MOA	ESTIMATED RANGE (YDS.)
18	1	1800
18	2	900
18	3	600
18	4	450
18	5	360
18	6	300