



Digital Tripod | Deluxe Tripod | Professional Tripod



©2022 BARSKA® | Pomona, CA 91767 USA
www.barska.com

BC747

Contents	
Warnings	3
Digital Tripod	4
Deluxe Tripod	6
Professional Tripod	8

Tripod Safety Warnings

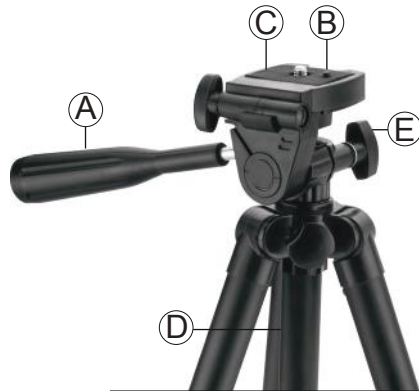
- **DO NOT** set up a tripod while device is mounted
- **DO NOT** move the tripod or adjust the legs while a device is mounted
- Device weight **NOT** to exceed the maximum weight capacity of the tripod
- **NEVER** leave a device unattended on the tripod
- The device should be securely fastened to the quick-release mounting plate before mounting it to the tripod
- Never mount a device to the tripod until all tripod legs are locked and stabilized
- **DO NOT** stand on, rest on, or hang any from leg brace
- **DO NOT** lift or move the tripod by the head
- Keep hands clear of the inside of the legs, to avoid trapping fingers
- Safety operation of the tripod is user's responsibility

Digital Tripod

This compact lightweight tripod features an easy-to-use tilt and panning head allowing the head to be leveled without adjusting the tripod legs. This tripod is perfect for digital camcorders, cameras and compact binoculars in outdoor and indoor conditions.

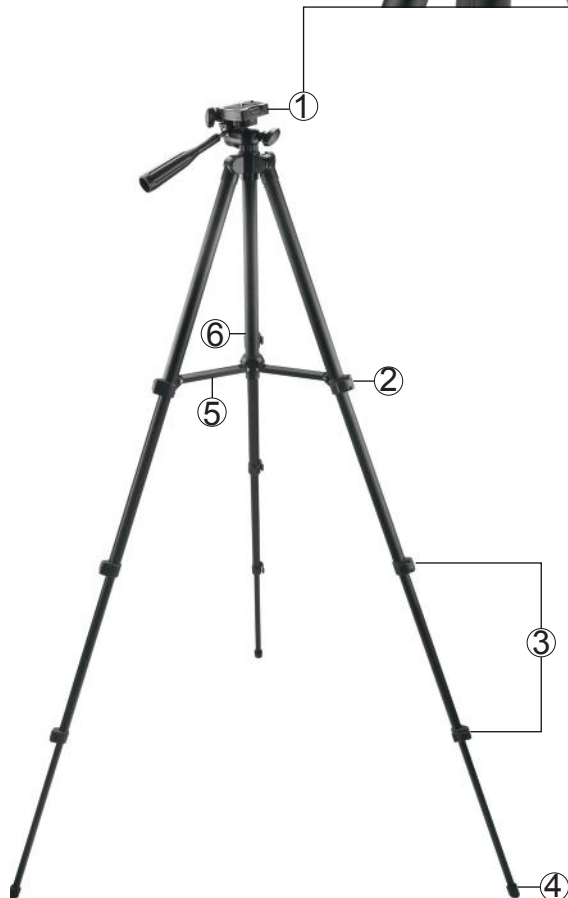
Head Parts

- A - Pan and Tilt Control Handle
- B - Tripod Leveling Bubble
- C - Mounting Platform
- D - Center Column Height Knob
- E - Pan Knob



Body Parts

- 1 - Head
- 2 - Upper Leg Locks
- 3 - Lower Leg Locks
- 4 - Feet
- 5 - Leg Brace
- 6 - Center Column



How To Use The Digital Tripod

1. To adjust height and angle of legs release upper and lower leg locks (2 and 3). Extend legs to desired height and lock upper and lower leg locks.
2. To adjust center column height, loosen center column height knob (D). Gently pull head of tripod (1). Center column will ascend in height. Once desired height is achieved tighten center column height knob (D).
3. Make sure locks/knobs are locked/tight (2,3,and D), and the tripod is on a stable surface.
4. Under mounting platform will be a knob. Attach mounting platform to the bottom of devices and tighten into place.
5. With mounted item securely in place, point the objective lens at the object, look through the eyepiece and slowly move pan and tilt control handle (A) to desired position. Tighten the pan knob (E) to secure your viewing angle.
6. The tripod leveling bubble is used to level the tripod (B) allowing for optimum viewing and picture taking. The tripod is level when the bubble is centered between the black lines.

How To Take Care Of The Digital Tripod

1. When not in use, lower tripod legs to minimum height with upper and lower locks (2 and 3), lower center column to minimum height (D) and secure in place.
2. Place tripod in carrying case (included) and store your tripod in a cool dry area.

Deluxe Tripod

This easy-to-use lightweight tripod features a quick-release platform so you can easily switch from tripod to handheld. An easy-to-use tilt head allows the head to be leveled without adjusting the tripod legs. Lastly, the accessory hook to further stabilizes the tripod in windy conditions. This tripod is perfect for camcorders, cameras, spotting scopes, and binoculars in outdoor and indoor conditions.

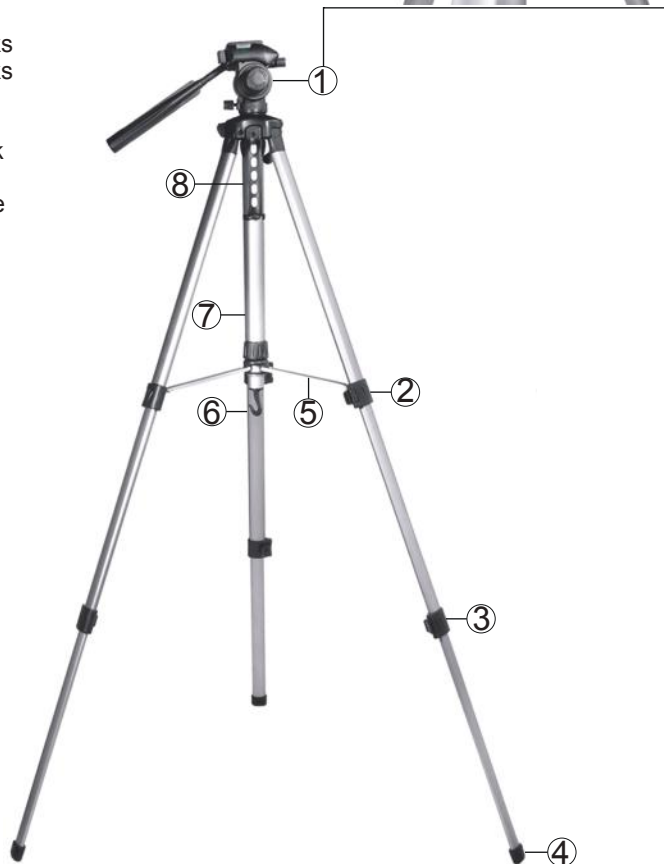
Head Parts

- A - Tilt Control Handle
- B - Quick Release Lever
- C - Mounting Platform
- D - Tripod Leveling Bubble
- E - Center Column Height Knob
- F - Center Column
- Height Adjustment Crank
- G - Head Knob
- H - Head Leveling Bubble



Body Parts

- 1 - Head
- 2 - Upper Leg Locks
- 3 - Lower Leg Locks
- 4 - Feet
- 5 - Leg Brace
- 6 - Accessory Hook
- 7 - Center Column
- 8 - Carrying Handle



How To Use The Deluxe Tripod

1. To adjust height and angle of legs release upper and lower leg locks (2 and 3). Extend legs to desired height and lock upper and lower leg locks.
2. To adjust tripod head height, loosen center column height knob (E). Flip up center column crank (F), and slowly crank to raise or lower tripod head. Flip crank lever to lock in place (E).
3. Make sure locks/knobs are locked/tight (2,3,and E), and the tripod is on a stable surface.
4. To release mounting platform (C) gently pull out the quick release lever (B) to it's full reach. Hold mounting platform and gently pull towards you and up.

Note: Mounting maximum weight is 8.82 lbs

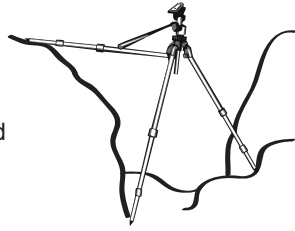
5. Attach mounting platform to the bottom of device and tighten the mounting key under mounting platform. Pull on the quick release lever (B) to it's full reach. Carefully place entire assembly back into place on head by pushing down and away from you.
6. With mounted item securely in place, point the objective lens at the object, look through the eyepiece and slowly move tilt control handle (A) to desired position. Tighten the head knob (G) to secure your viewing angle.
7. The tripod leveling bubble is used to level the tripod (D). The head leveling bubble (H) levels the head allowing for optimum viewing and picture taking. The legs and head of the tripod are both level when the bubble is centered between the black lines.
8. The accessory hook (6) is used to further stabilize the tripod in very windy conditions. Hang a counter weight (not supplied) onto the hook to stabilize your tripod.

How To Take Care Of The Deluxe Tripod

1. When not in use, lower tripod legs to minimum height with upper and lower locks (2 and 3), lower center column to minimum height (F and E) and secure in place.
2. Place tripod in carrying case (included) and store your tripod in a cool dry area.

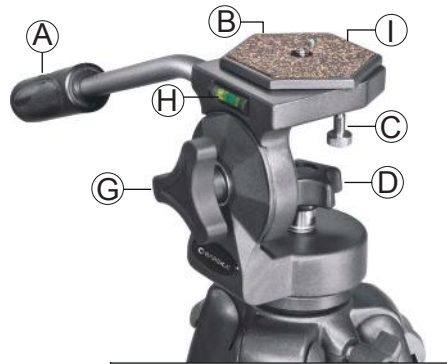
Professional Tripod

This tripod is ideal for the extreme outdoors. The rubber feet of this tripod can be exposed to reveal spikes that can be placed in uneven ground, such as in between rocks. Another useful feature of this tripod is its variable angle leg spread. Each leg can be angled independently from 45° to 175°. Which is ideal for leaning the tripod against an angled wall. This tripod can support camcorders, cameras, spotting scopes, and large binoculars.



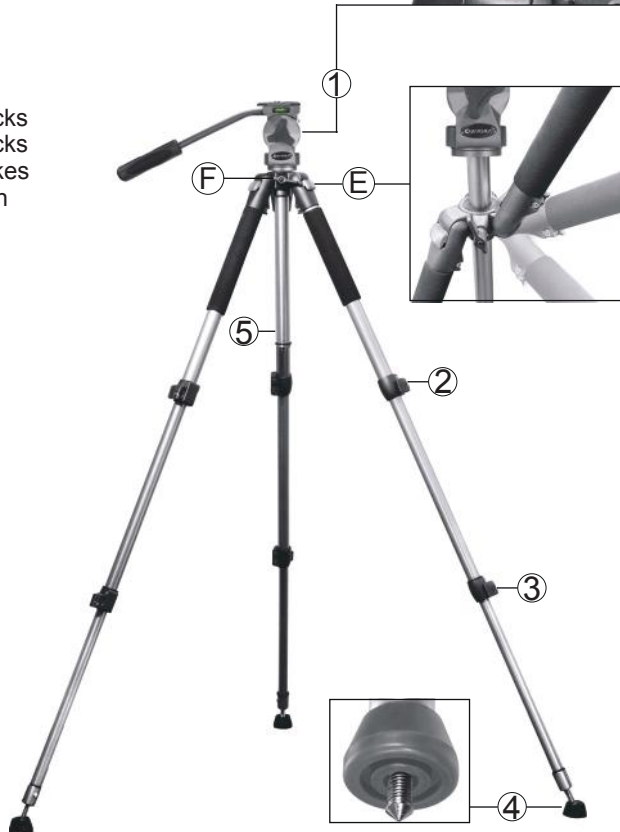
Head Parts

- A - Pan and Tilt Control Handle
- B - Mounting Platform
- C - Quick Release Knob
- D - Head Knob
- E - Variable Angle Leg Spread
- F - Center Column Height Knob
- G - Tilt Knob
- H - Leveling Bubble
- I - Tighten Knob



Body Parts

- 1 - Head
- 2 - Upper Leg Locks
- 3 - Lower Leg Locks
- 4 - Feet, with Spikes
- 5 - Center Column



How To Use The Professional Tripod

1. To adjust height of legs release upper and lower leg locks (2 and 3). Extend legs to desired height and lock upper and lower leg locks.
2. If spiked feet are needed, unscrew rubber feet (4) to expose spikes.
3. To change angle of leg spread push down variable angle leg spread button (E) and gently pull leg out for desired angle. Release button. Repeat this step with other legs.

NOTE: When pushing legs back to original position. It is normal to hear clicks from the variable angle leg button.

4. To adjust center column height, loosen center column height knob (F), slowly raise column by holding head (1) to desired position and tighten in place.
5. Make sure locks/knobs are locked/tight (2,3,D,and F), and the tripod is on a stable surface.
6. To release mounting platform (B) pull down the quick release knob (C) and slide out of place. Under mounting platform will be a knob. Attach mounting platform to the bottom of device and tighten into place. Carefully slide entire assembly back into place on head. Tighten knob on the opposite side of the leveling bubble (not pictured).

NOTE: Mounting maximum weight is 8.82 lbs.

7. With mounted item securely in place, point the objective lens to the object, look through the eyepiece and slowly move pan and tilt control handle (A) to desired position. Tighten the tilt lock knob (G) to secure your viewing angle.
8. The leveling bubble (H) is used to level the head of the tripod allowing for optimum viewing and picture taking. The head of the tripod is level when the bubble is centered between the black lines.
9. To release the mounting platform (B), pull down the quick release knob (C) and slide out of place. Under mounting platform will be a screw. Loosen screw from viewing object until both pieces are separated. Carefully slide mounting platform back on to head.

How To Take Care Of The Professional Tripod

1. When not in use, lower tripod legs to minimum height with upper and lower locks (2 and 3), lower center column to minimum height (F) and secure in place.
2. Place tripod in carrying case (included) and store your tripod in a cool dry area.