

# BARSKA®

## Magnus 65ED / 80ED

### Operating Instructions

**WARNING!**  
DO NOT USE THIS TELESCOPE UNDER ANY CIRCUMSTANCES TO DIRECTLY VIEW THE SUN. IT COULD CAUSE SERIOUS INJURY OR BLINDNESS.

Congratulations on your purchase of a BARSKA Magnus Refractor Telescope. Please read the following instructions. With proper care and use of this instrument, you will be assured of many years of enjoyable viewing.

#### **MOUNTING YOUR TELESCOPE TO A TRIPOD**

A stable tripod or mount is recommended for optimal viewing. This includes a high quality photographic tripod such as BARSKA's Model AF10738 Professional Tripod, a German Equatorial mount which is designed for astronomical use and includes precise tracking of celestial objects or an Altitude/Azimuth mount which provides precise vertical and horizontal movement of the telescope.

#### **VIEWING RECOMMENDATIONS**

Remember that the Earth's atmosphere plays an important role in viewing conditions and only ideal viewing conditions will provide the best results. Additional power under less than ideal conditions will not result in an increase in viewable detail. Lower powered eyepieces should be used under those conditions. It's easier to locate objects by using a lower powered eyepiece (e.g. 20x) and then zoom in by switching to a higher powered eyepiece once the object has been located. For more information, consult with your local Photo or Telescope retailer.



**BARSKA's Model AF10738  
Professional Tripod**

**CAUTION:** NEVER aim your telescope at the Sun without proper solar filters installed on the front of the telescope. Doing so for even a moment may permanently damage your vision. Proper solar filters, produced by reputable manufacturers, are designed to fit tightly over the front of the dew shield. Solar eyepiece filters are not considered as safe and are not recommended.

#### **ERECT IMAGE DIAGONAL**

Your Magnus telescope includes an erect image eyepiece diagonal. Once the eyepiece is inserted securely into the diagonal and you focus on an object, you will notice that the image appears vertically correct but is reversed horizontally. This is normal. Without the erect image diagonal the image would appear inverted as well. This is less of a concern when viewing celestial objects, however the erect image diagonal greatly aids in the viewing of land objects.

#### **STORAGE AND CLEANING**

##### **Storing Your Telescope**

When not in use, we recommend storing your Magnus telescope and accessories in the protective hard case and placing the accessories inside an airtight container with desiccative control. Also remember to store the telescope in a non-humid environment. Never leave it in a hot environment. Prolonged exposure and improper storage conditions could result in mildew growth or other buildup. During early morning or night viewing be sure that the lens has no dew on it before disassembling the telescope for storage.

# Magnus 65ED / 80ED



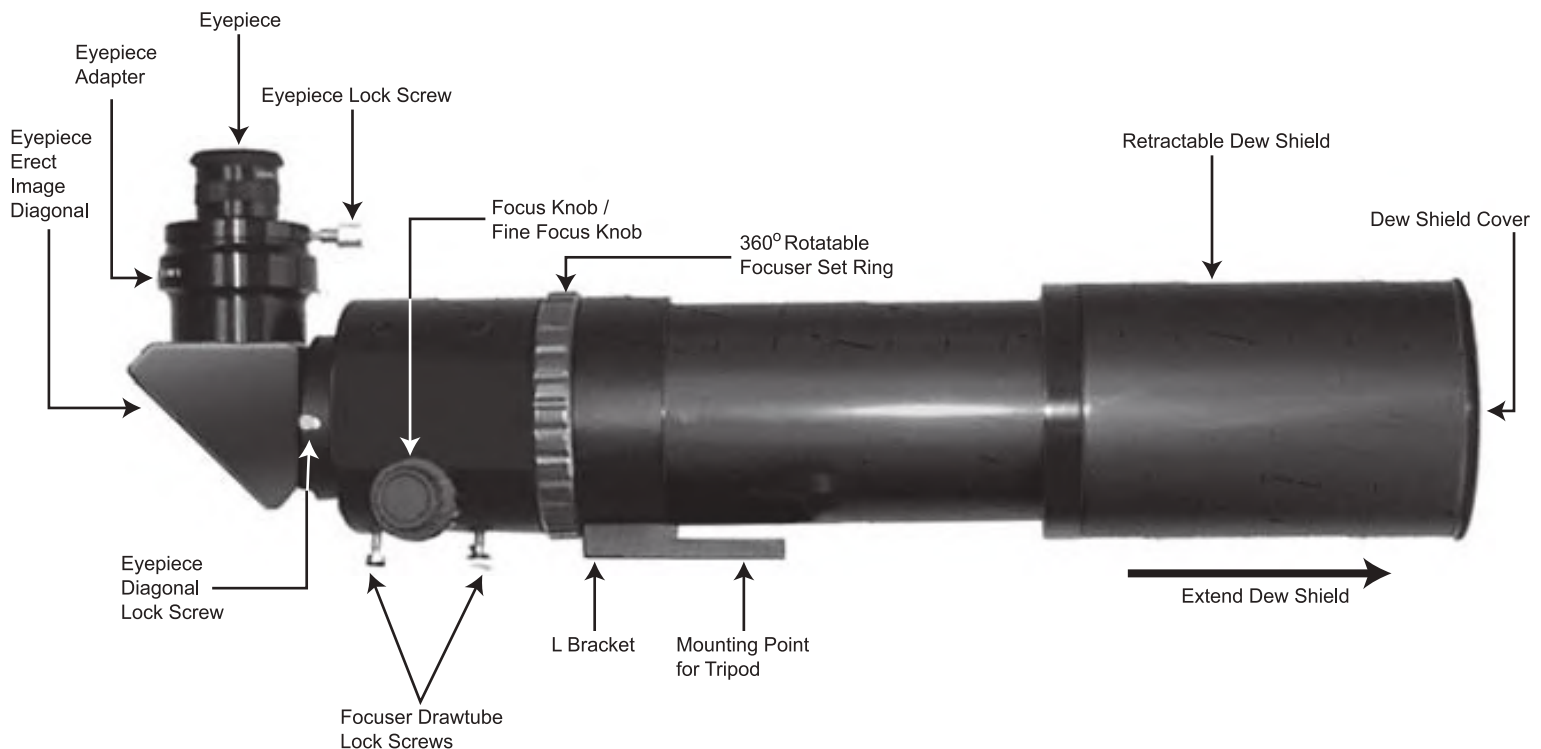
## Cleaning Your Telescope

If the lens surface of your Magnus becomes dusty, smeared or has fingerprint or fungus buildup on it remove any surface particles using a canned air blower. Proceed to carefully wipe the lens using a lint-free soft cloth. Careful use of a recommended liquid lens cleaner will provide the best results. The exterior finish of your Magnus can be cleaned by wiping it down with a slightly damp soft cloth. Do not use any organic solvent such as alcohol, benzene or other hazardous chemicals that will damage the finish.

## TELESCOPE REPAIR

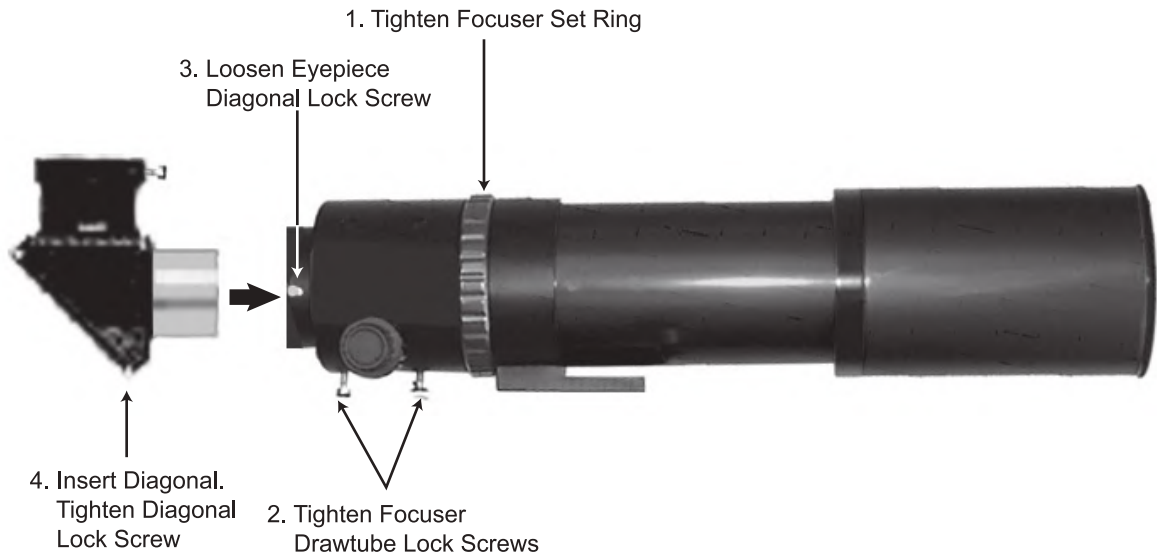
BARSKA's Magnus telescopes are covered by a Limited Lifetime Warranty. DO NOT attempt to disassemble or repair the telescope. If the telescope requires repair, contact BARSKA Customer Service at 909.445.8168 for warranty and repair information.

## Magnus Telescope Parts



## Installing The Diagonal and Eyepiece

### Step 1. Installing the Diagonal



### Step 2. Installing the Eyepiece

