

Introduction

Thank you for choosing the BARSKA Mini-14 4x20 IR Electro Sight. The Mini-14 has been specifically designed for your Mini 14 Rifle.

The Mini-14 belongs to the Electro Sight family, a series of high quality optics with features to improve your aim.

The Mini-14 IR puts your Mini 14 rifle on target for up to 500 yards. This scope has a bullet drop compensation system that is calibrated to 500 yards in 100 yard increments, with an eye relief of 2.7" making the Mini-14 ideal for fast targeting.

The Mini-14 has a built-in illuminated reticle with variable brightness settings for outstanding performance in different light conditions.

Installing The Battery

The battery compartment is located in the Rheostat dial. To access it you will need to use a nickel or a coin the size of a nickel. Stick the nickel above the rheostat slot and turn the nickel counter clockwise. Do not attempt to use a screw driver. A screwdriver may damage the battery compartment's cover, scratching and even stripping the slot.



When placing the battery in the compartment ensure that the battery (coin style battery) is with the "+" up. When you are finished placing the battery in the compartment place the cover on the rheostat and turn clockwise to tighten it.

Mounting

ATTENTION: Make sure the gun is not loaded and ensure that the safety lock is on, when you are handling it. Always follow safe gun handling procedures. Never attempt to look into the sun with this, or any optical enhancing device. Doing so may result in permanent eye damage.

It is extremely important to mount your scope properly. By mounting your scope properly you will be setting the foundation for a secure and straight shot. A scope that is not properly mounted, may move around causing the bullet point of impact to be off dramatically. It may also cause damage to your scope.

It is important to have correct rings for your scope. There is different size rings out in the market place. If you find yourself unsure of what proper rings are for your scope, visit your local firearms dealer or a local Gunsmith to assist you.

If you are unsure as to how to install your scope to your firearm, do not hesitate to visit your local gunsmith, to be assisted.

1. Refer to your Mini-14 rifle instruction manual for disassembly procedure.
2. Use a screwdriver to unlatch trigger guard to remove the barrel assembly from the stock.
3. Remove bolt lock cover and replace it with new cover plate supplied with the scope.
4. Reassemble the barrel assembly by following your Mini-14 Rifle instruction manual.
5. Slide the scope mount assembly into the cover plate and tighten with the screw knob.
6. After many consecutive shots, it is possible that the dial may become loose, simply re-tighten the scope trying to get it tighter than before.



Zeroing

ATTENTION: All shooting should be done in an approved range or in a safe area. Eye and ear protection should be worn at all times.

DANGER: If you used a bore sighter collimator or another bore obstructing device, remove it before proceeding. If the barrel has been drilled for a mount, ensure that the screws do not obstruct the bore. Do not fire live or even blank ammunition with an obstructed barrel as any obstruction can cause serious injury to gun and possible injury to you and other people around you.

WARNING: Never attempt to look into the sun with this or any other optical enhancing device, doing so may cause permanent eye damage.

The purpose of zeroing your scope is to have the aim point the same aim point as the fire arms iron sights.

1. Place a target 100 yards away from the starting point.
2. Place your fire arm on a secure, stable brace and aim at the center of the target using the iron sights.
3. Look through the scope. Check to see if the reticle (crosshairs) is centered on the target. If not you will have to adjust the scope up or down, right or left.

Elevation Adjustment (up or down)

Set the Elevation Dial To 1 before adjusting

- Remove the Elevation Adjustment Cap by turning the cap counter clockwise with a nickel and not a screwdriver.
- Turn the adjustment dial as necessary. Each line equals .70 in. at 100 yards.
- Reattach the protective cover and tighten securely to help seal out moisture.



Windage Adjustment (Left or Right)

- Remove the Windage Adjustment Cap by turning the cap counter clockwise.
- Using a nickel (not a Screw driver) Turn the adjustment dial in either direction. Each line equals .70 in. at 100 yards.
- Reattach the protective caps and tighten securely to help moisture stay out.



NOTE: Attempting to align the scope to the iron sight is only a rough adjustment. In order to have a more precise scope adjustment, it is necessary to test a fire shot from the fire arm. **BEFORE YOU TEST THE RIFLE, ENSURE THE TARGET IS SAFE AND CLEAR**

Test Fire

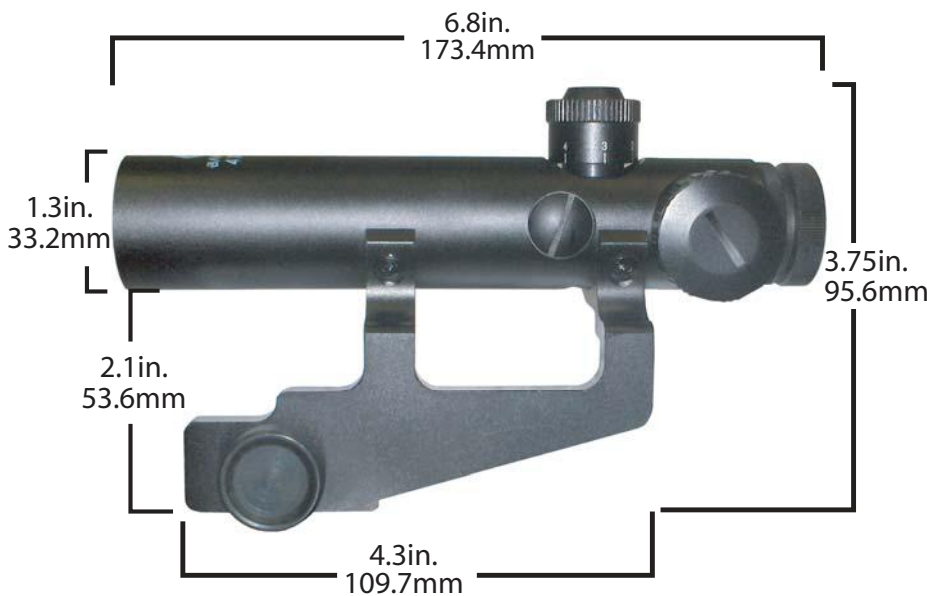
Stabilize the firearm on a secure support and aim at a target 100 yards away. Adjust the scope by turning the horizontal & vertical dials until your scope and firearm are in tune. (follow the instructions above) When you are adjusting the horizontal dial, ensure that the scope is set at the 1 mark. Once the scope has been tuned at 100 yards you can quickly adjust it to shoot up to 500 yards by rotating the Bullet Drop Compensator Knob. Select 1 for 100 yards, 2 for 200 yards, 3 for 300 yards and so on.





BARSKA®

Mini-14 IR Illuminated 30/30 Reticle AC10022



LIMITED LIFETIME WARRANTY

BARSKA® Optics as manufacturer, warrants this new precision optical product to be free of original defects in materials and or workmanship for the length of time specified by this Warranty. This warranty does not include damage caused by abuse, improper handling, installation, maintenance, normal wear-and-tear, unauthorized repairs or modifications and tampering in anyway.

This warranty is limited to the original purchaser and is not transferable, this warranty applies only to products purchased in the United States of America and Canada.

In the event of a defect within 30 days, the consumer must return the defective unit to the BARSKA dealer (the place of purchase) at his/her own expense.

Beyond 30 days, Contact BARSKA either by E-mail: info@barska.com or call us at 1-888-666-6769 BARSKA products should be sent to us for warranty repairs. Products must be packed carefully and sturdily to prevent damage in transit, and returned freight prepaid

For additional and updated information please visit our website at www.barska.com

Please E-mail info@barska.com or call 1-888-666-6769 for Return Merchandise Number (RMA#) before any returns. NOTE: All merchandise received without a valid RMA# will be returned to shipper at his/her own expense.

Please include all of the following when returning BARSKA products for service and/or replacement:

1. Please write your complete details (Name, Address, Telephone #, E-mail address, RMA#, etc.)
 2. Purchase receipt or Proof of Purchase. (Original copy)
 3. A brief explanation of the defect.
 4. A Check/Money Order of \$25.00 to cover inspection, shipping and handling.
- * Please allow 6-8 weeks for delivery.

This product will either be placed or repaired at the discretion of the warrantor. If it's a discontinued item, we will replace the product with an equivalent product. Should the repair not be covered by this warranty, an estimate will be sent for your approval. Non-warranty repairs or refurbishing of optical products are always provided at a reasonable cost.

BARSKA® Optics shall not be liable for any consequential, incidental and/or contingent damages whatsoever. This warranty supersedes all previous BARSKA® Optics warranties

Please Refer to the additional Warranty insert

For more information please visit www.barska.com