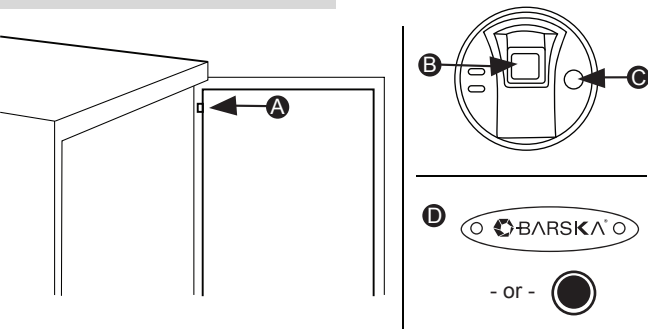




User Manual for Biometric Safe

A. Parts of the Safe



- A. Initialization Button with tamper resistant cover
- B. Fingerprint Scanner
- C. Wake-Up Button
- D. Back Up Key Access

B. Registering Fingerprint

1. During set up the door must be open and the locking bolts in the retracted position. Remove tamper resistant cover from initialization button.
2. During registration process, keep the safe door open and locking bolts in the retracted position.
3. Press and release initialization button on the inside of the safe door. Immediately place finger on scanner, you will hear 1 beep followed by 2 consecutive beeps. Remove fingerprint from scanner.
4. Registration of fingerprint is now complete. Replace tamper resistant cover back onto initialization button.
5. To add a fingerprint repeat steps 2 through 4.

Note:
If fingerprint is not registered successfully, two short beeps will be heard and red LED flashes, check the operation and register again.

If the green and red LED flash alternatively 10 times, this indicates the fingerprint memory is full.

DO NOT lose tamper resistant cover.

C. Locking Door

Close the door and turn the handle counter clockwise

Note: Be sure the door is closed completely
Alarm: When 3 beeps are heard, change the batteries in the safe.

D. Opening the Door with Fingerprint

1. Press wake-up button, a beep is heard and red LED of sensor flashes.
2. Put finger on scanner, a beep is heard and green led of sensor flashes once, now turn the handle clockwise
3. If verification failed, two short beeps will be heard and red LED flashes twice, then operate step 1 and 2 again.

Note: When no user fingerprint is registered, any finger can open the door

E. To Delete All Fingerprints / Initialization

1. Open door by pressing the wake-up button, a beep is heard and red LED of sensor flashes.
2. Put finger on the scanner, a beep is heard and green LED of sensor flashes once, then the door is opened automatically.
3. Unscrew battery cover and remove one battery.
4. Press wake-up button a few times to release remaining electronic power.
5. Remove tamper resistant cover from initialization button. Press and hold initialization button on the inside of the door as the battery is reinserted, you will hear 1 beep followed by 2 consecutive beeps, release initializing button the LED light will flash green accordingly with the beeps. This may take a few seconds. Replace tamper resistant cover back onto initialization button.

Initialization deletes all fingerprints stored in the module. Now any fingerprint can open the safe.

F. Replacing Batteries

1. With the door open unscrew battery cover and remove batteries.
2. Press wake-up button a few times to release remaining electronic power.
3. Reinstall new batteries and replace battery cover.

G. External Battery Pack

Note: Included with select models
Use external battery pack only when batteries are low

1. Install batteries; note the polarity of the placement of batteries
2. Plug the external battery pack into the pink hole on the lower left side of the fingerprint module
3. Press the wake-up button to open safe door by scanning a fingerprint

H. Opening the Safe with Key

Back up key access is located near the door handle of the safe
Entry access can either be a logo plate OR key cover. Key access is for emergency use.

Safe Plate
Use the screwdriver to twist the screws on the safe plate. Then open the door with the key. After opening door, take out the key and return the safe plate.

Key Cover
Gently lift off the key cover and then open the door with the key. After opening door, take out the key and return the key cover back into place.

I. Sound Options

To Turn Off Beep Sound

With the door open remove tamper resistant cover from initialization button. Press & hold initialization button until green light flashes, release initialization button. Replace tamper resistant cover back onto initialization button. Beep is now disabled

To Turn On Beep Sound

With the door open remove tamper resistant cover from initialization button. Press & hold initialization button until green light flashes and you hear one beep. Replace tamper resistant cover back onto initialization button. Beep is now enabled

J. Mounting

The safe may be mounted to a wall or through the floor. When mounting to a wall, be sure of the load bearing so as to hold the weight of the safe and the contents. Failure to do so could result in the safe falling and damaging property and or people. Suggested 12mm socket wrench tool and drill bits

Mounting Through The Bottom Of The Safe

1. Check the floor for what type it is (wood, tile and or concrete)
2. Get the appropriate anchors for the type of floor you have
3. Check location on the floor for concealed wires or pipes
4. Mark the floor to drill your anchor
5. Drill the appropriate size hole for the anchors you have
6. Mount the safe and make sure it is securely mounted

DO NOT mount safe without anchoring to the wall behind the safe!

Mounting Through The Back Of The Safe

1. Check the wall or cabinet for structural soundness
2. For safety, have someone help you to hold the safe during mounting
3. Check location for concealed wires or pipes
4. Mark the surface to drill holes for the anchors you will be using
5. Drill the appropriate size holes for the anchors you are using
6. While having someone hold the unit, anchor the safe to the wall
7. Test the strength of the mounted safe so it will not fall off the wall or cabinet

DO NOT mount safe without anchoring to the wall behind the safe!

Care and Maintenance

- If necessary use a damp cloth to clean the safe. DO NOT use chemicals or cleaning agents
- Keep liquids away from the control panel. Spills on the control panel will cause damage and possibly electric shock
- Properly secure the safe to prevent it from falling and causing damage or injury
- DO NOT lose tamper resistant cover
- DO NOT over stuff the contents of the safe or you can damage the motor mechanism or the contents
- DO NOT disassemble the product. For all repairs and maintenance, contact authorized service centers or distributor
- DO NOT place emergency keys inside of safe

Biometric Safe Warranty

1. BARSKA warrants the Biometric Safe against original defects in material and/or workmanship under normal use for a period of twelve (12) months from the date product is received by purchaser.
2. This Warranty is limited to original purchaser and is not transferable.
3. This Warranty applies only to products purchased in the United States.
4. BARSKA will examine and test returned product and repair or replace defective part(s) or units with new part(s) or a new unit if necessary within the warranty period. Purchaser is required to remit \$60.00 to BARSKA for return shipping and handling at time product is returned.
5. If repair is required after warranty period expiration, purchaser will be charged for replacement parts and return shipping.
6. Purchaser must contact BARSKA at 1.909.445.8168 to request a Returned Merchandise Authorization (RMA) number. The RMA number must appear on the outside of the shipping package. Product must be packed carefully and sturdily in its original packaging to prevent damage in transit and returned freight pre-paid to:

BARSKA
Repair Department
1721 Wright Avenue
La Verne, CA 91750

What is NOT covered by this Warranty?

1. Damage caused by improper installation or maintenance.
2. Damage from misuse, abuse, accident (such as dropping), fire, flood, or acts of nature.
3. Damage from service or repairs other than those performed by BARSKA.
4. Labor, cost and shipping charges for the removal and replacement of defective parts beyond the initial twelve-month warranty period.
5. All transportation and shipping charges.
6. Removing or altering the seal on the rear of the front part of the safe under any circumstances will automatically void the warranty.